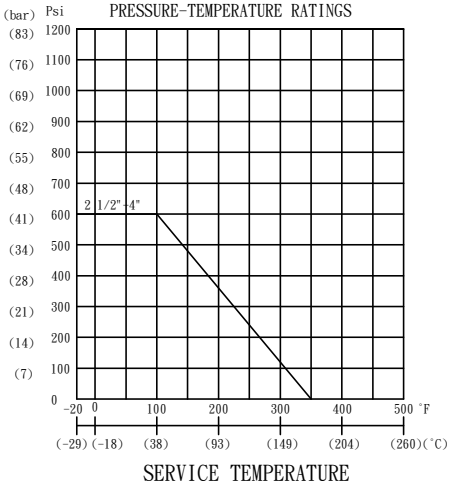
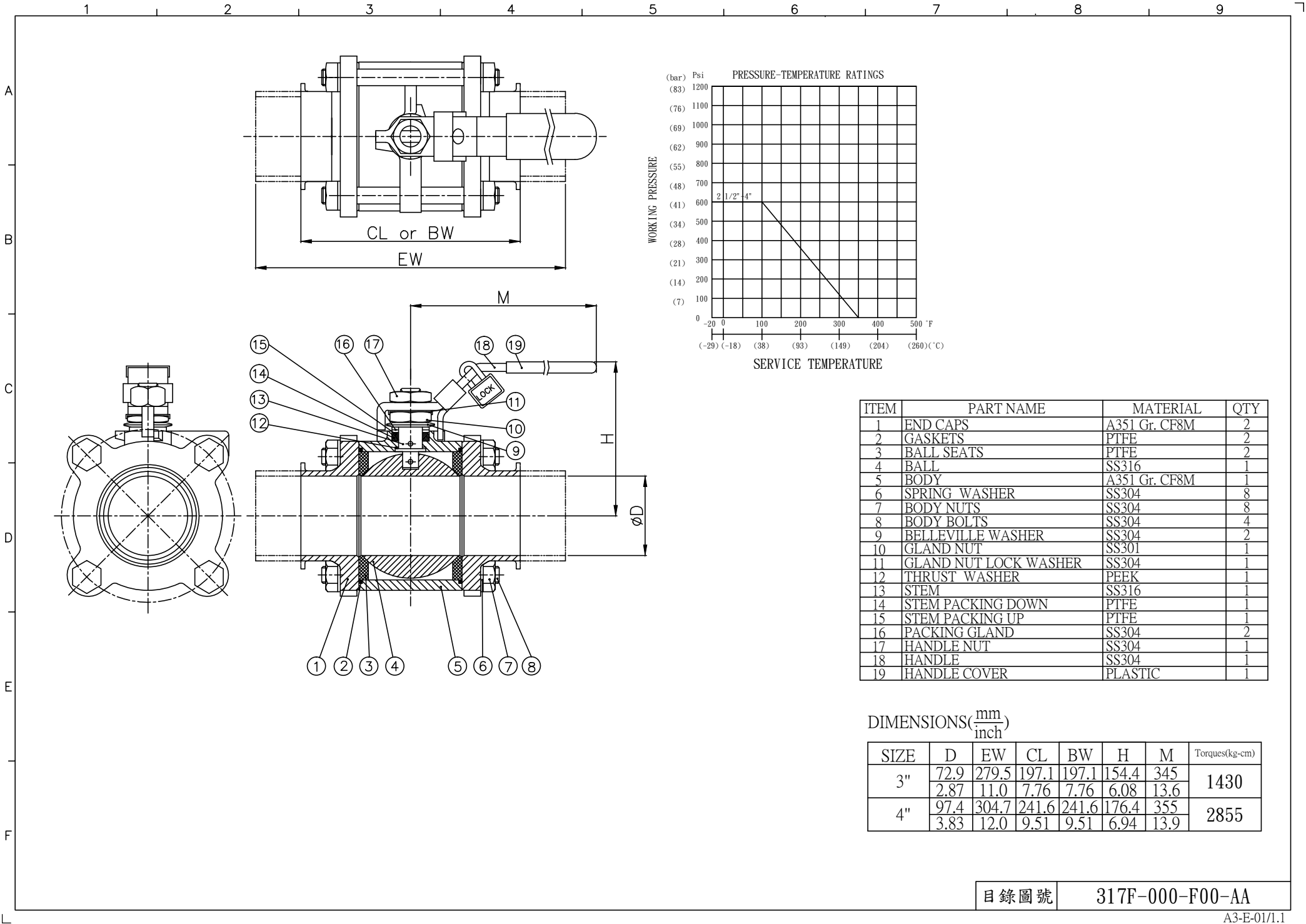


ITEM	PART NAME	MATERIAL	QTY
1	END CAPS	A351 Gr. CF8M	2
2	GASKETS	PTFE	2
3	BALL SEATS	PTFE	2
4	BALL	SS316	1
5	BODY	A351 Gr. CF8M	1
6	BODY NUTS	SS304	4
7	BODY BOLTS	SS304	4
8	BELLEVILLE WASHER	SS304	2
9	GLAND NUT	SS301	1
10	GLAND NUT LOCK WASHER	SS304	1
11	THRUST WASHER	PEEK	1
12	STEM	SS316	1
13	STEM PACKING DOWN	PTFE	1
14	STEM PACKING UP	PTFE	1
15	PACKING GLAND	SS304	2
16	HANDLE NUT	SS304	1
17	HANDLE	SS304	1
18	HANDLE COVER	PLASTIC	1

DIMENSIONS (mm / inch)

SIZE	D	EW	CL	BW	H	M	Torque (kg-cm)
1/2"	9.5	124.4	88.9	88.9	51.28	111.8	60
	0.37	4.9	3.5	3.5	2.02	4.4	
3/4"	15.75	142.4	89	89	59	134.9	90
	0.62	5.61	3.5	3.5	2.32	5.31	
1"	22.1	162.6	89	89	70.9	156.4	125
	0.87	6.4	3.5	3.5	2.79	6.16	
1-1/2"	34.8	183	114.4	114.4	94.7	206.6	305
	1.37	7.2	4.5	4.5	3.72	8.13	
2"	47.5	193.1	127.1	127.1	106.5	206.5	510
	1.87	7.6	5.0	5.0	4.19	8.13	
2-1/2"	60.2	254.1	171.5	171.5	142.5	345	1225
	2.37	10.0	6.75	6.75	5.61	13.6	

目錄圖號 317F-000-F00-AA

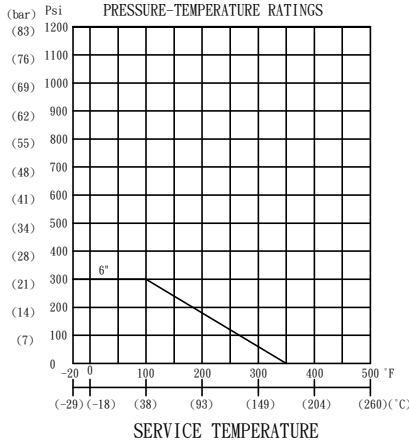
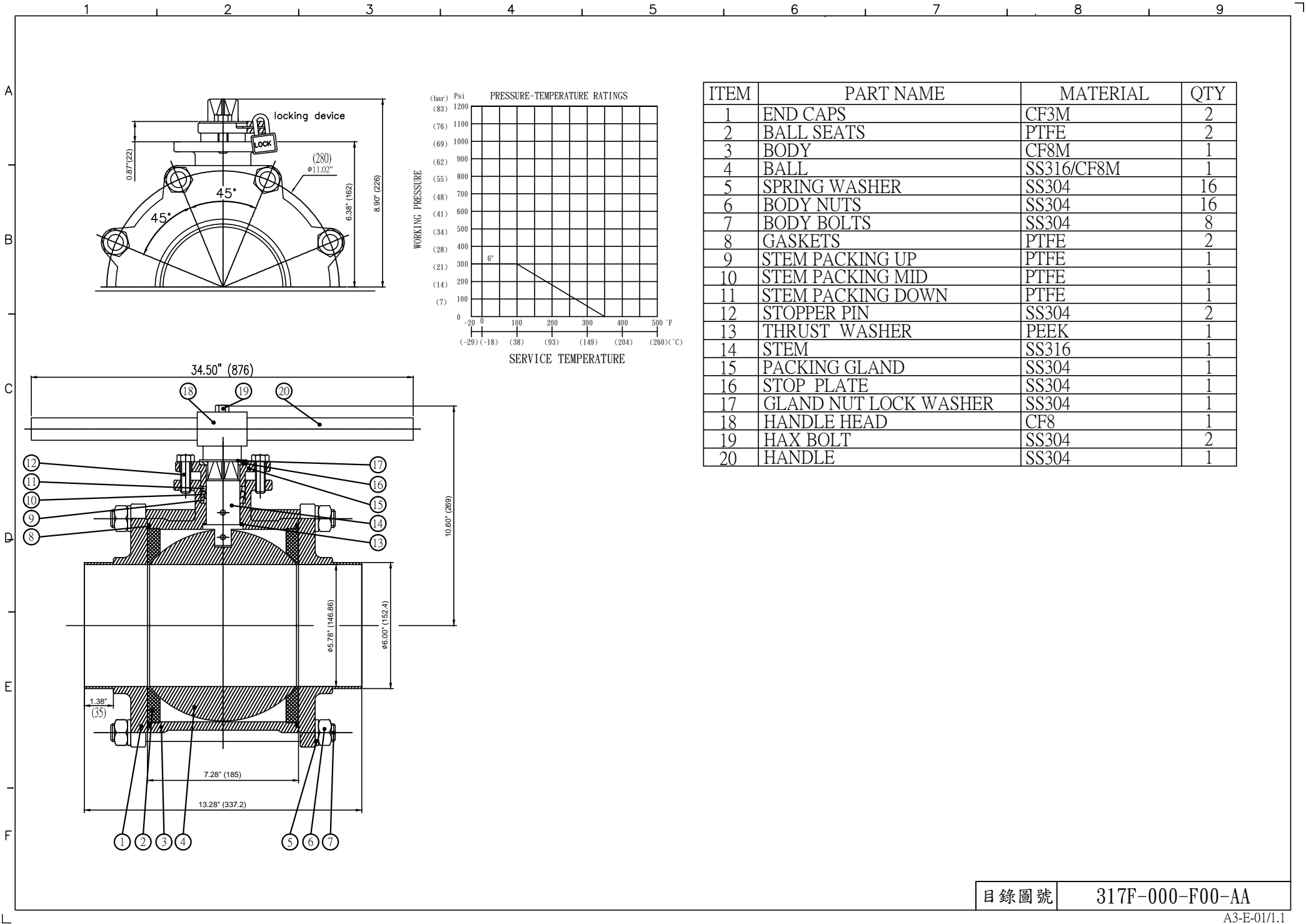


ITEM	PART NAME	MATERIAL	QTY
1	END CAPS	A351 Gr. CF8M	2
2	GASKETS	PTFE	2
3	BALL SEATS	PTFE	2
4	BALL	SS316	1
5	BODY	A351 Gr. CF8M	1
6	SPRING WASHER	SS304	8
7	BODY NUTS	SS304	8
8	BODY BOLTS	SS304	4
9	BELLEVILLE WASHER	SS304	2
10	GLAND NUT	SS301	1
11	GLAND NUT LOCK WASHER	SS304	1
12	THRUST WASHER	PEEK	1
13	STEM	SS316	1
14	STEM PACKING DOWN	PTFE	1
15	STEM PACKING UP	PTFE	1
16	PACKING GLAND	SS304	2
17	HANDLE NUT	SS304	1
18	HANDLE	SS304	1
19	HANDLE COVER	PLASTIC	1

DIMENSIONS ( $\frac{\text{mm}}{\text{inch}}$ )

SIZE	D	EW	CL	BW	H	M	Torques(kg-cm)
3"	72.9	279.5	197.1	197.1	154.4	345	1430
	2.87	11.0	7.76	7.76	6.08	13.6	
4"	97.4	304.7	241.6	241.6	176.4	355	2855
	3.83	12.0	9.51	9.51	6.94	13.9	

目錄圖號 317F-000-F00-AA



ITEM	PART NAME	MATERIAL	QTY
1	END CAPS	CF3M	2
2	BALL SEATS	PTFE	2
3	BODY	CF8M	1
4	BALL	SS316/CF8M	1
5	SPRING WASHER	SS304	16
6	BODY NUTS	SS304	16
7	BODY BOLTS	SS304	8
8	GASKETS	PTFE	2
9	STEM PACKING UP	PTFE	1
10	STEM PACKING MID	PTFE	1
11	STEM PACKING DOWN	PTFE	1
12	STOPPER PIN	SS304	2
13	THRUST WASHER	PEEK	1
14	STEM	SS316	1
15	PACKING GLAND	SS304	1
16	STOP PLATE	SS304	1
17	GLAND NUT LOCK WASHER	SS304	1
18	HANDLE HEAD	CF8	1
19	HAX BOLT	SS304	2
20	HANDLE	SS304	1

目錄圖號 317F-000-F00-AA