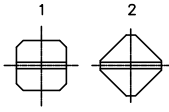
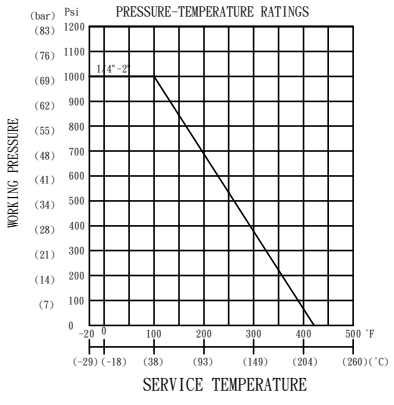


TWO TYPES OF STEMS FOR ACTUATOR CAN BE SELECTED :



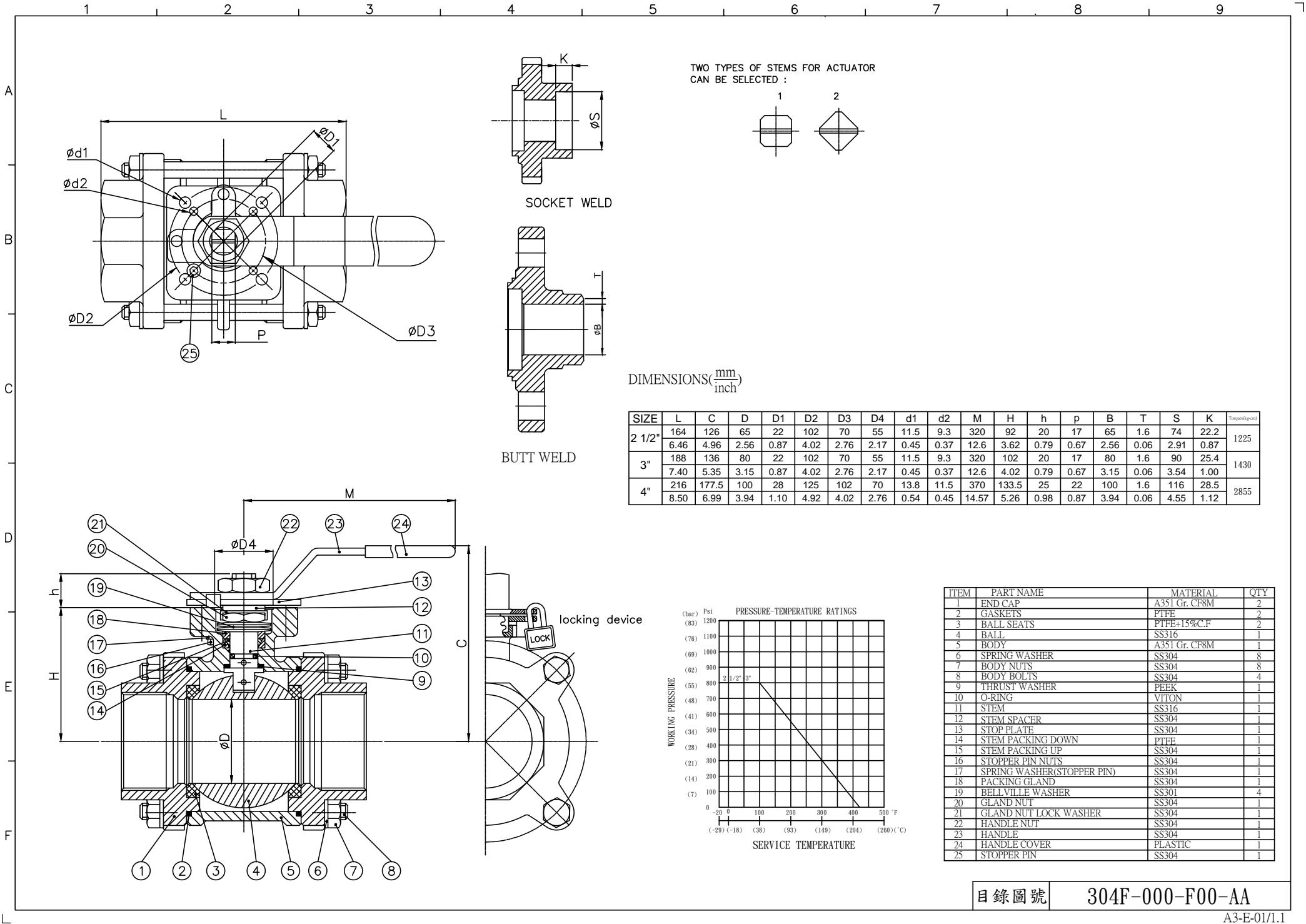
DIMENSIONS (mm / inch)

SIZE	L	C	D	D1	D2	D3	D4	d1	d2	M	H	h	p	B	T	S	K	Torques(kg-cm)
1/4"	57.5	62.5	11	12	42	36	25	6	6	135	37	9.3	9	10	1.6	14.2	11.1	55
	2.26	2.46	0.43	0.47	1.65	1.42	0.98	0.24	0.24	5.31	1.46	0.37	0.35	0.39	0.06	0.56	0.44	
3/8"	57.5	62.5	12.5	12	42	36	25	6	6	135	37	9.3	9	12.5	1.6	17.5	11.1	55
	2.26	2.46	0.49	0.47	1.65	1.42	0.98	0.24	0.24	5.31	1.46	0.37	0.35	0.49	0.06	0.69	0.44	
1/2"	59	62.5	15	12	42	36	25	6	6	135	37	9.3	9	15	1.6	21.8	12.7	60
	2.32	2.46	0.59	0.47	1.65	1.42	0.98	0.24	0.24	5.31	1.46	0.37	0.35	0.59	0.06	0.86	0.5	
3/4"	78	67.5	20	12	42	36	25	6	6	160	42	9.8	9	20	1.6	27.1	14.3	90
	3.07	2.66	0.79	0.47	1.65	1.42	0.98	0.24	0.24	6.30	1.65	0.39	0.35	0.79	0.06	1.07	0.56	
1"	84	74	25	14	50	42	30	7.2	6	160	48.4	11.6	11	25	1.6	33.8	15.9	125
	3.31	2.91	0.98	0.55	1.97	1.65	1.18	0.28	0.24	6.30	1.91	0.46	0.43	0.98	0.06	1.33	0.63	
1 1/4"	100	79.3	31.8	14	50	42	30	7.2	6	160	53.7	11.6	11	31.8	1.6	42.5	17.5	185
	3.94	3.12	1.25	0.55	1.97	1.65	1.18	0.28	0.24	6.30	2.11	0.46	0.43	1.25	0.06	1.67	0.69	
1 1/2"	112	94.6	38	18	70	50	35	9.3	7.2	202	64	15.5	14	38.1	1.6	48.7	19.1	305
	4.41	3.72	1.50	0.71	2.76	1.97	1.38	0.37	0.28	7.95	2.52	1.61	0.55	1.50	0.06	1.92	0.75	
2"	131	103.6	50	18	70	50	35	9.3	7.2	202	73	15.5	14	50	1.6	61.1	22.3	510
	5.16	4.08	1.97	0.71	2.76	1.97	1.38	0.37	0.28	7.95	2.87	0.61	0.55	1.97	0.06	2.41	0.88	

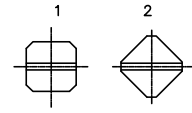


ITEM	PART NAME	MATERIAL	QTY
1	END CAP	A351 Gr. CF8M	2
2	GASKETS	PTFE	2
3	BALL SEATS	PTFE+15%CF	2
4	BALL	SS316	1
5	BODY	A351 Gr. CF8M	1
6	SPRING WASHER	SS304	4
7	BODY NUTS	SS304	4
8	BODY BOLTS	SS304	4
9	THRUST WASHER	PEEK	1
10	O-RING	VITON	1
11	STEM	SS316	1
12	STEM SPACER	SS304	1
13	STEM PACKING DOWN	PTFE	1
14	STEM PACKING UP	SS304	1
15	STOPPER PIN NUTS	SS304	1
16	SPRING WASHER(STOPPER PIN)	SS304	1
17	PACKING GLAND	SS304	1
18	BELLVILLE WASHER	SS301	4
19	GLAND NUT	SS304	1
20	GLAND NUT LOCK WASHER	SS304	1
21	HANDLE NUT	SS304	1
22	HANDLE	SS304	1
23	HANDLE COVER	PLASTIC	1
24	STOPPER PIN	SS304	1

目錄圖號 304F-000-F00-AA



TWO TYPES OF STEMS FOR ACTUATOR  
CAN BE SELECTED :



DIMENSIONS (mm / inch)

SIZE	L	C	D	D1	D2	D3	D4	d1	d2	M	H	h	p	B	T	S	K	Torque(N·cm)
2 1/2"	164	126	65	22	102	70	55	11.5	9.3	320	92	20	17	65	1.6	74	22.2	1225
	6.46	4.96	2.56	0.87	4.02	2.76	2.17	0.45	0.37	12.6	3.62	0.79	0.67	2.56	0.06	2.91	0.87	
3"	188	136	80	22	102	70	55	11.5	9.3	320	102	20	17	80	1.6	90	25.4	1430
	7.40	5.35	3.15	0.87	4.02	2.76	2.17	0.45	0.37	12.6	4.02	0.79	0.67	3.15	0.06	3.54	1.00	
4"	216	177.5	100	28	125	102	70	13.8	11.5	370	133.5	25	22	100	1.6	116	28.5	2855
	8.50	6.99	3.94	1.10	4.92	4.02	2.76	0.54	0.45	14.57	5.26	0.98	0.87	3.94	0.06	4.55	1.12	

ITEM	PART NAME	MATERIAL	QTY
1	END CAP	A351 Gr. CF8M	2
2	GASKETS	PTFE	2
3	BALL SEATS	PTFE+15%CF	2
4	BALL	SS316	1
5	BODY	A351 Gr. CF8M	1
6	SPRING WASHER	SS304	8
7	BODY NUTS	SS304	8
8	BODY BOLTS	SS304	4
9	THRUST WASHER	PEEK	1
10	O-RING	VITON	1
11	STEM	SS316	1
12	STEM SPACER	SS304	1
13	STOP PLATE	SS304	1
14	STEM PACKING DOWN	PTFE	1
15	STEM PACKING UP	SS304	1
16	STOPPER PIN NUTS	SS304	1
17	SPRING WASHER(STOPPER PIN)	SS304	1
18	PACKING GLAND	SS304	1
19	BELLVILLE WASHER	SS301	4
20	GLAND NUT	SS304	1
21	GLAND NUT LOCK WASHER	SS304	1
22	HANDLE NUT	SS304	1
23	HANDLE	SS304	1
24	HANDLE COVER	PLASTIC	1
25	STOPPER PIN	SS304	1

目錄圖號 304F-000-F00-AA