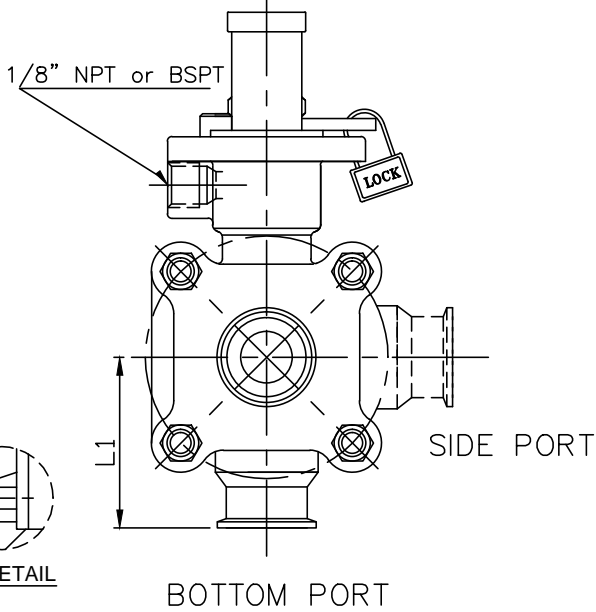
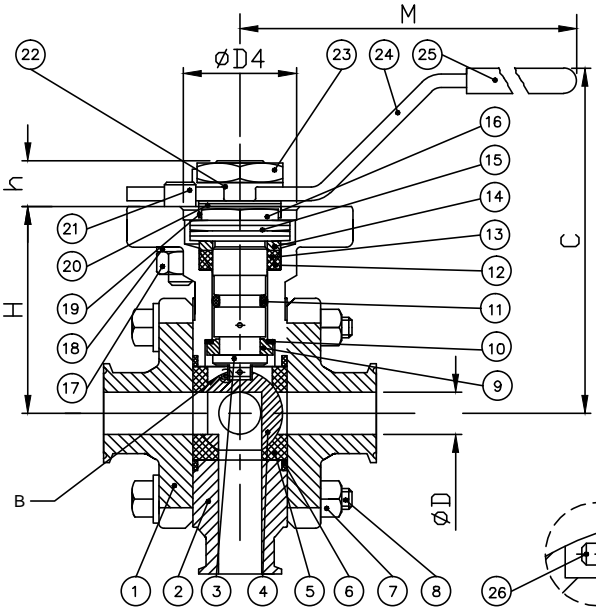
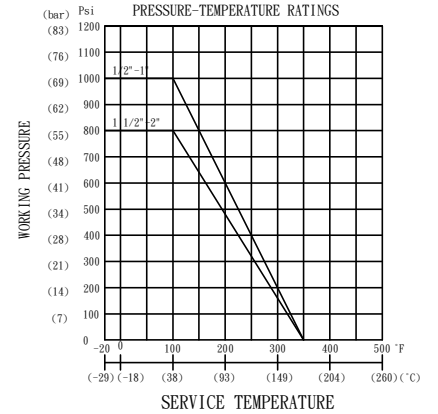
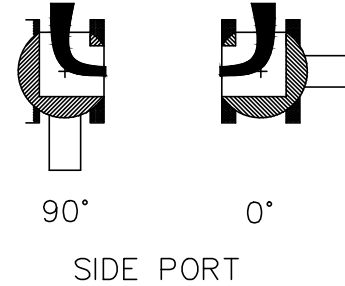
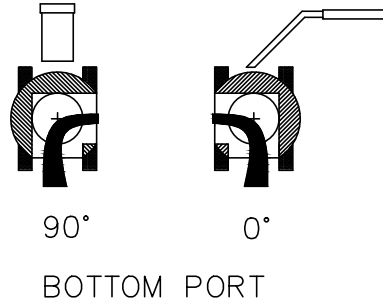
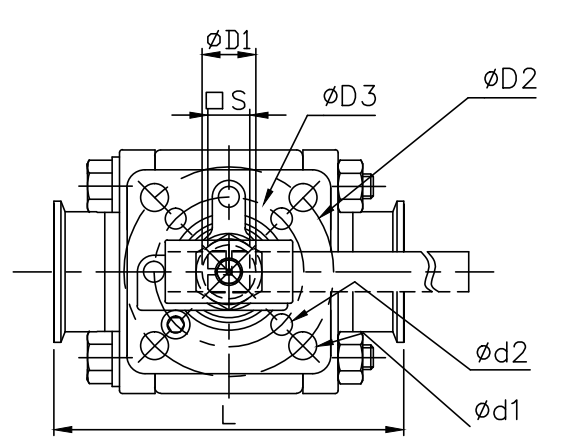
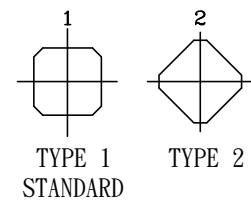


DIMENSIONS (mm/inch)

SIZE	Torques (kg-cm)	L	L1	C	D	D1	D2	D3	D4	d1	d2	H	h	M	S
1/2"	70	89.0	44.5	74.0	9.50	12.0	50.0	36.0	25.0	6.5	6.0	48.0	12.9	160	9.0
		3.50	1.75	2.91	0.37	0.47	1.97	1.42	0.98	0.26	0.24	1.89	0.51	6.30	0.35

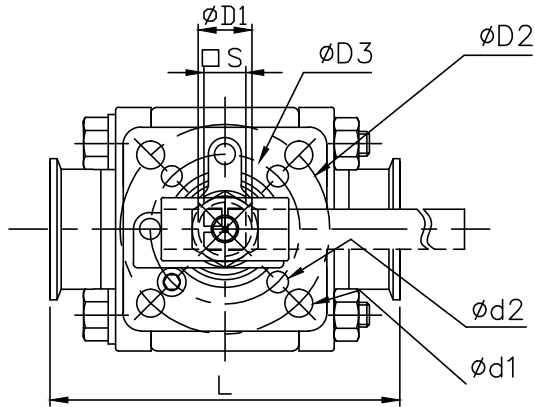
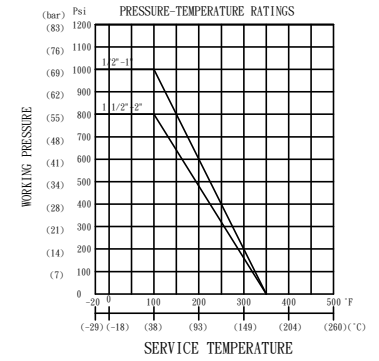
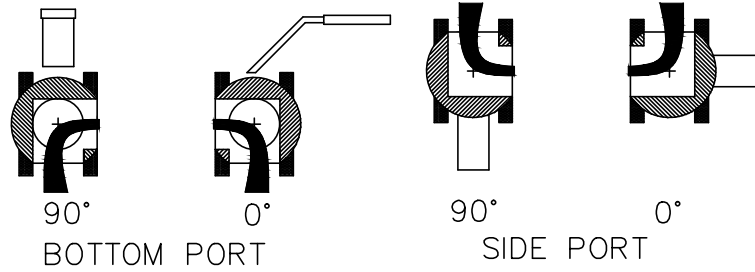
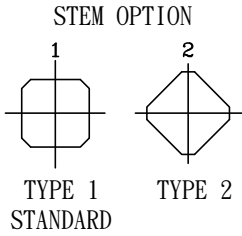
STEM OPTION



"B"DETAIL

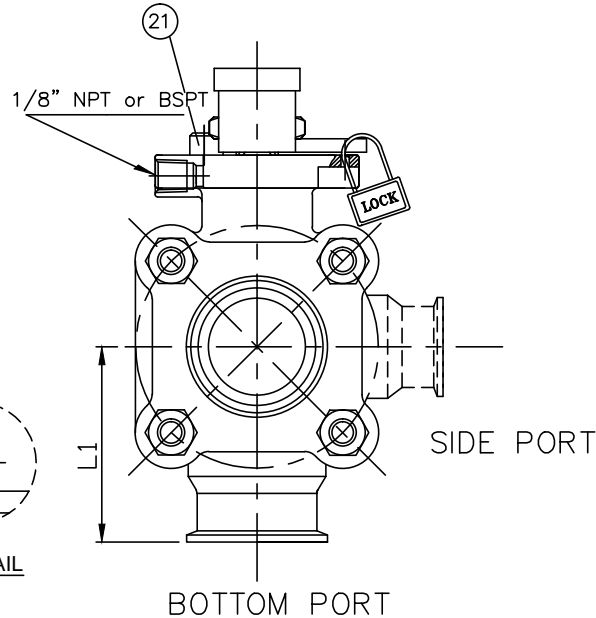
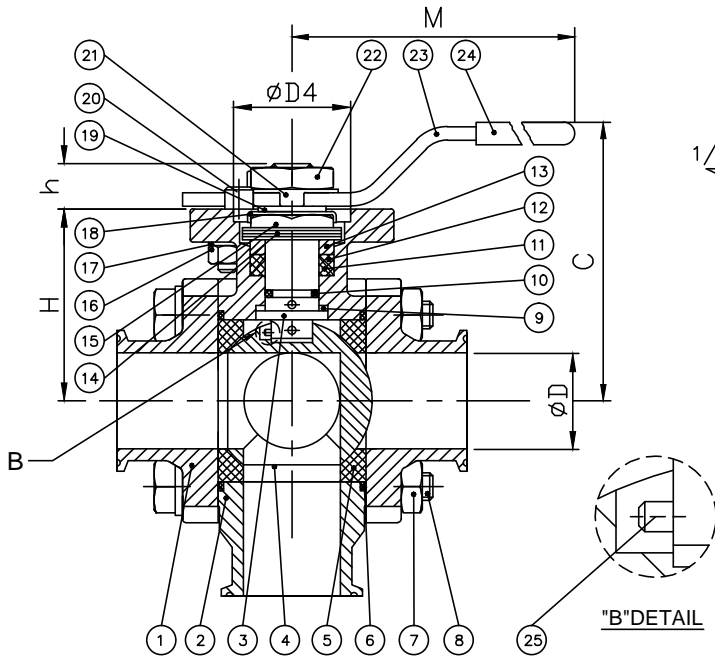
ITEM	PART NAME	MATERIAL	QTY
1	END CAPS	SS316	2
2	BODY	SS316	1
3	STEM	SS316	1
4	BALL	SS316	1
5	BALL SEATS	TFM1600	2
6	GASKETS	TFM1600	2
7	BODY NUTS	SS304	4
8	BODY BOLTS	SS304	4
9	SPLIT RING	SS316	2
10	THRUST WASHER	PEEK	2
11	O-RING	VITON	1
12	STEM PACKING DOWN	TFM1600	1
13	STEM PACKING UP	TFM1600	1
14	PACKING GLAND	SS304	1
15	BELLEVILLE WASHER	SS301	4
16	GLAND NUT	SS304	1
17	STOPPER PIN NUT	SS304	1
18	SPRING WASHER	SS304	1
19	GLAND NUT LOCK WASHER	SS304	1
20	STEM SPACE	SS304	1
21	STOP PIN	SS304	1
22	STOP PLATE	SS304	1
23	HANDLE NUT	SS304	1
24	HANDLE	SS304	1
25	HANDLE COVER	PLASTIC	1
26	BALL RETAINER PIN	SS316	1

目錄圖號 367F-000-F00-AA



DIMENSIONS (mm)

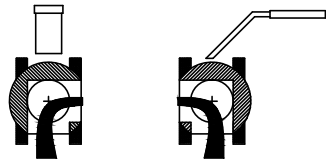
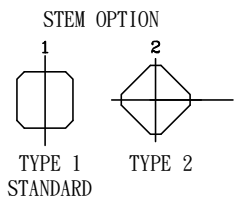
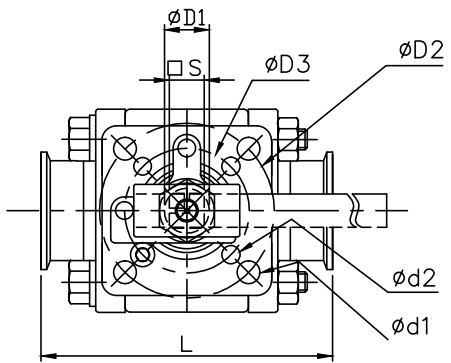
SIZE	Torque (kg-cm)	L	L1	C	D	D1	D2	D3	D4	d1	d2	H	h	M	S
3/4"	80	101.6	50.8	75.6	15.75	14.0	50.0	42.0	30.0	7.0	6.0	50.6	11.8	160	11.0
		4.00	2.00	2.98	0.62	0.55	1.97	1.65	1.18	0.28	0.24	1.99	0.46	6.30	0.43
1"	160	114.4	57.2	80.6	22.1	14.0	50.0	42.0	30.0	7.0	6.0	55.6	12.1	160	11.0
		4.50	2.25	3.17	0.87	0.55	1.97	1.65	1.18	0.28	0.24	2.19	0.48	6.30	0.43
1 1/2"	460	137.0	68.5	102	34.8	18.0	70.0	50.0	35.0	9.0	7.0	72.0	16.6	280	14.0
		5.39	2.70	4.02	1.37	0.71	2.76	1.97	1.38	0.35	0.28	2.83	0.65	11.0	0.55



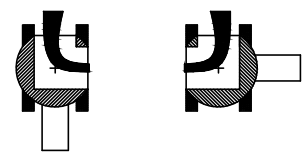
ITEM	PART NAME	MATERIAL	QTY
1	END CAPS	SS316	2
2	BODY	SS316	1
3	STEM	SS316	1
4	BALL	SS316	1
5	BALL SEATS	TFM1600	2
6	GASKETS	TFM1600	2
7	BODY NUTS	SS304	4
8	BODY BOLTS	SS304	4
9	THRUST WASHER	PEEK	1
10	O-RING	VITON	1
11	STEM PACKING DOWN	TFM1600	1
12	STEM PACKING UP	TFM1600	1
13	PACKING GLAND	SS304	1
14	BELLEVILLE WASHER	SS301	4
15	GLAND NUT	SS304	1
16	STOPPER PIN NUT	SS304	1
17	SPRING WASHER	SS304	1
18	GLAND NUT LOCK WASHER	SS304	1
19	STEM SPACE	SS304	1
20	STOP PIN	SS304	1
21	STOP PLATE	SS304	1
22	HANDLE NUT	SS304	1
23	HANDLE	SS304	1
24	HANDLE COVER	PLASTIC	1
25	BALL RETAINER PIN	SS316	1

目錄圖號 367F-000-F00-AA

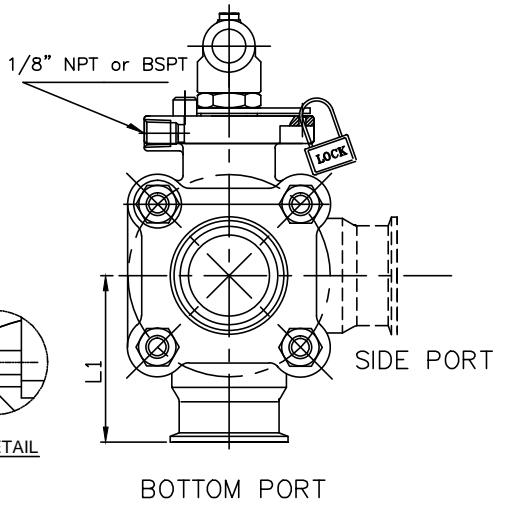
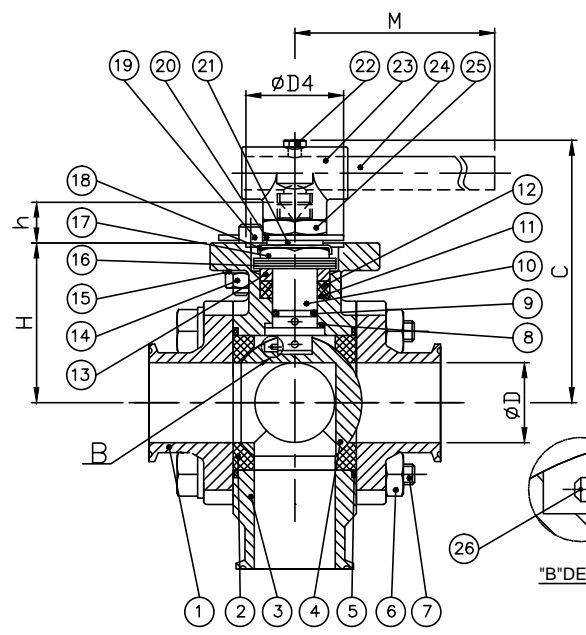
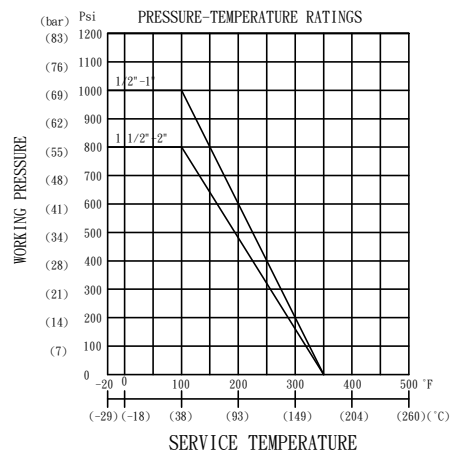
A
B
C
D
E
F



BOTTOM PORT



SIDE PORT



ITEM	PART NAME	MATERIAL	QTY
1	END CAPS	SS316	2
2	BALL SEATS	TFM1600	2
3	BODY	SS316	1
4	BALL	SS316	1
5	GASKETS	TFM1600	2
6	BODY NUTS	SS304	4
7	BODY BOLTS	SS304	4
8	THRUST WASHER	PEEK	1
9	O-RING	VITON	1
10	STEM	SS316	1
11	STEM PACKING DOWN	TFM1600	1
12	STEM PACKING UP	TFM1600	1
13	PACKING GLAND	SS304	1
14	STOPPER PIN NUT	SS304	1
15	SPRING WASHER	SS304	1
16	BELLEVILLE WASHERS	SS301	4
17	GLAND NUT	SS304	1
18	GLAND NUT LOCK WASHER	SS304	1
19	STOP PIN	SS304	1
20	STOP PLATE	SS304	1
21	STEM SPACER	SS304	1
22	RETAINING BOLT	SS304	1
23	HANDLE HEAD	SS304	1
24	HANDLE	SS304	1
25	HANDLE NUT	SS304	1
26	BALL RETAINER PIN	SS316	1

DIMENSIONS (mm/inch)

SIZE	Temp (°C/°F)	L	L1	C	D	D1	D2	D3	D4	d1	d2	H	h	M	S
2"	1020	158.8	79.4	119	47.5	22.0	102	70.0	55.0	11.3	9.0	89.0	20.8	320	17.0
		6.25	3.13	4.69	1.87	0.87	4.02	2.76	2.17	0.44	0.35	3.50	0.79	12.6	0.67

目錄圖號 367F-000-F00-AA